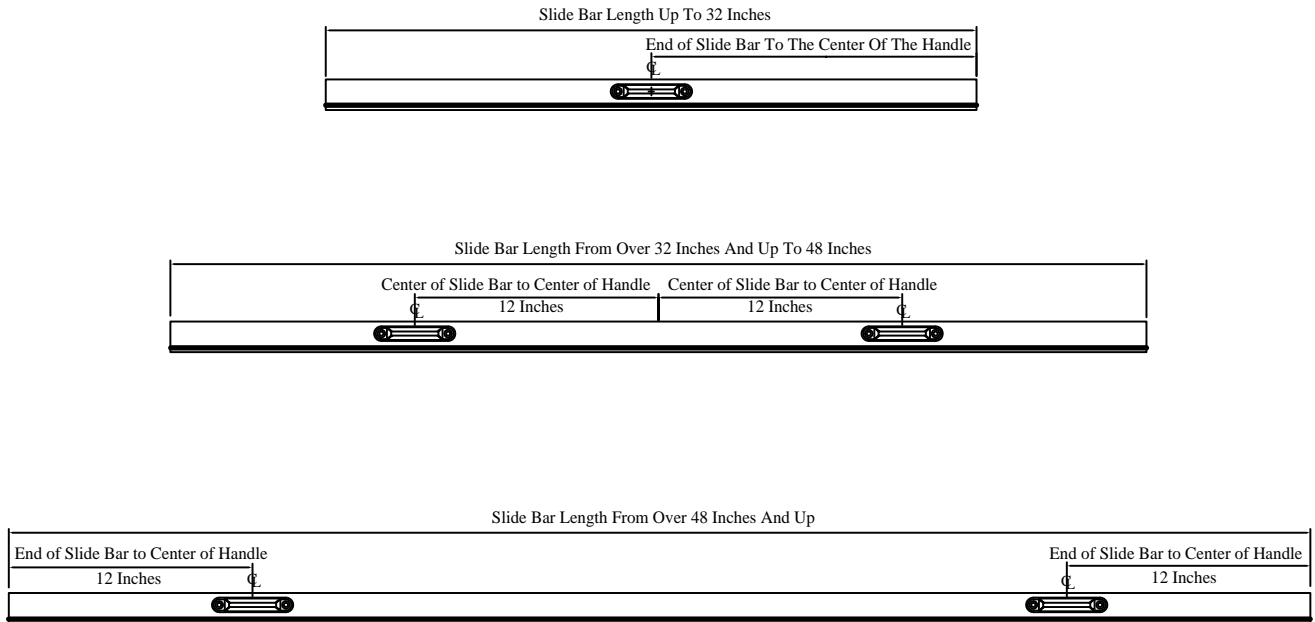
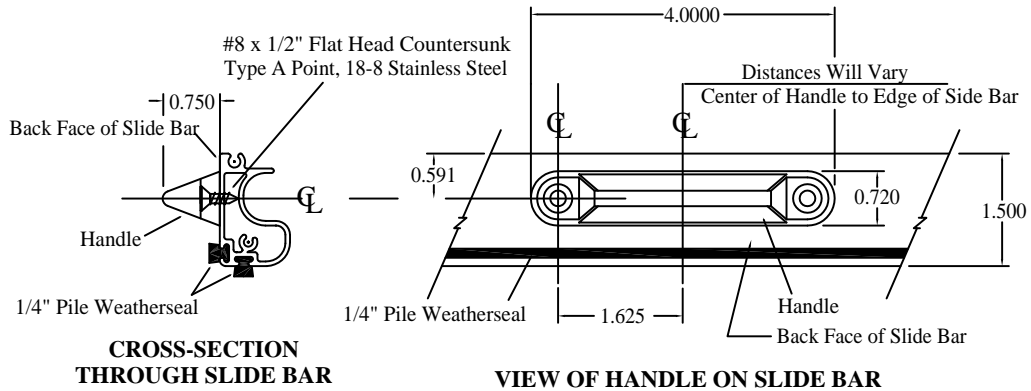


# VISION HANDLE INSTALLATION

For Illustration Purposes Only - Not Drawn to Scale

All Dimensions Are Shown In Inches



## VISION HANDLE PLACEMENT ( GENERAL GUIDELINES )