

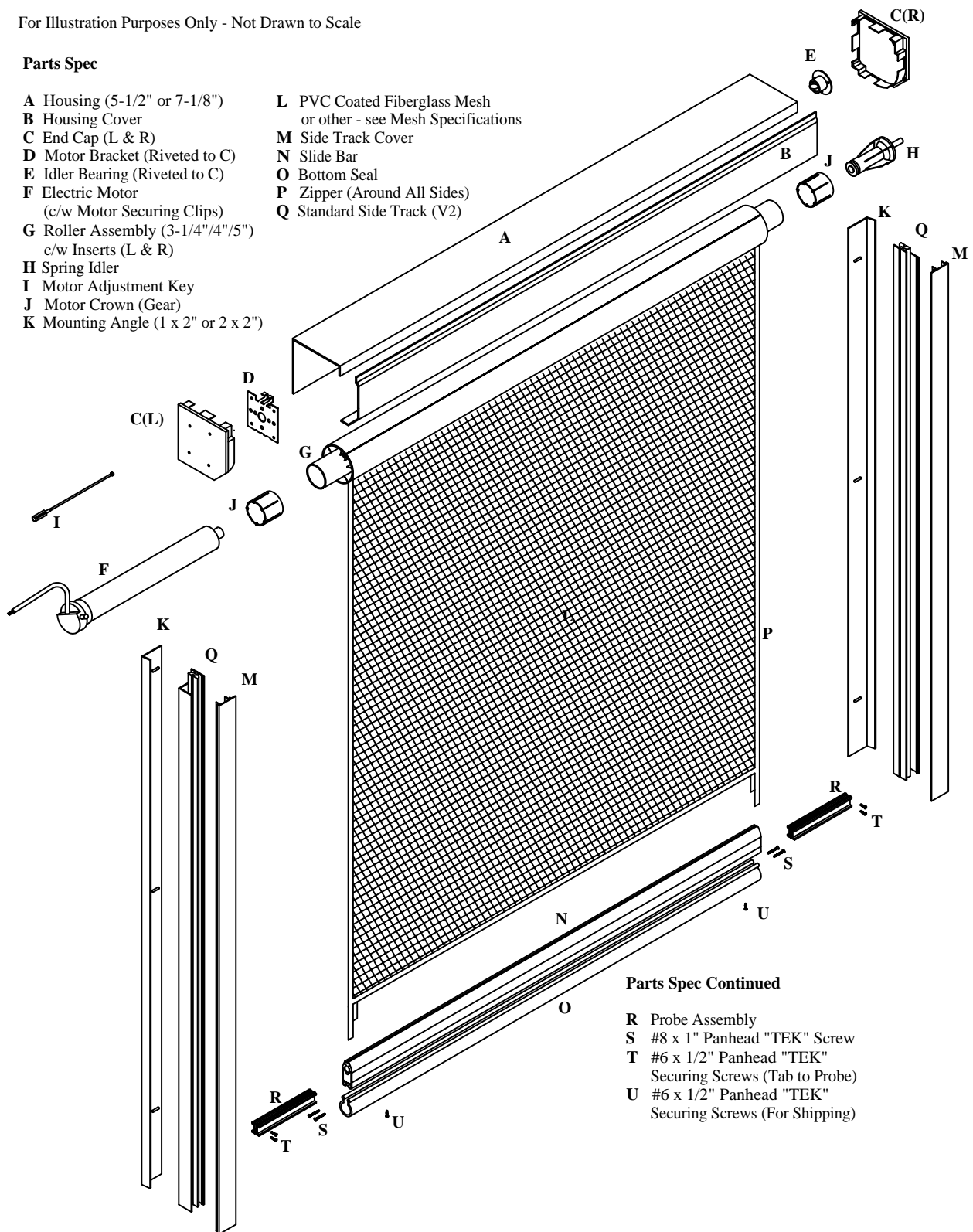
# Executive Design Specifications - System with new Standard Side Track (V2)

(Exploded View)

For Illustration Purposes Only - Not Drawn to Scale

## Parts Spec

- |  |   |
|--|---|
| <b>A</b> Housing (5-1/2" or 7-1/8")                            | <b>L</b> PVC Coated Fiberglass Mesh<br>or other - see Mesh Specifications |
| <b>B</b> Housing Cover   | <b>M</b> Side Track Cover   |
| <b>C</b> End Cap (L & R)                                       | <b>N</b> Slide Bar  |
| <b>D</b> Motor Bracket (Riveted to C)                          | <b>O</b> Bottom Seal  |
| <b>E</b> Idler Bearing (Riveted to C)                          | <b>P</b> Zipper (Around All Sides)  |
| <b>F</b> Electric Motor<br>(c/w Motor Securing Clips)          | <b>Q</b> Standard Side Track (V2)   |
| <b>G</b> Roller Assembly (3-1/4"/4"/5")<br>c/w Inserts (L & R) |   |
| <b>H</b> Spring Idler  |   |
| <b>I</b> Motor Adjustment Key                                  |   |
| <b>J</b> Motor Crown (Gear)                                    |   |
| <b>K</b> Mounting Angle (1 x 2" or 2 x 2")                     |   |



## Parts Spec Continued

- |   |
|---|
| <b>R</b> Probe Assembly   |
| <b>S</b> #8 x 1" Panhead "TEK" Screw                            |
| <b>T</b> #6 x 1/2" Panhead "TEK" Securing Screws (Tab to Probe) |
| <b>U</b> #6 x 1/2" Panhead "TEK" Securing Screws (For Shipping) |