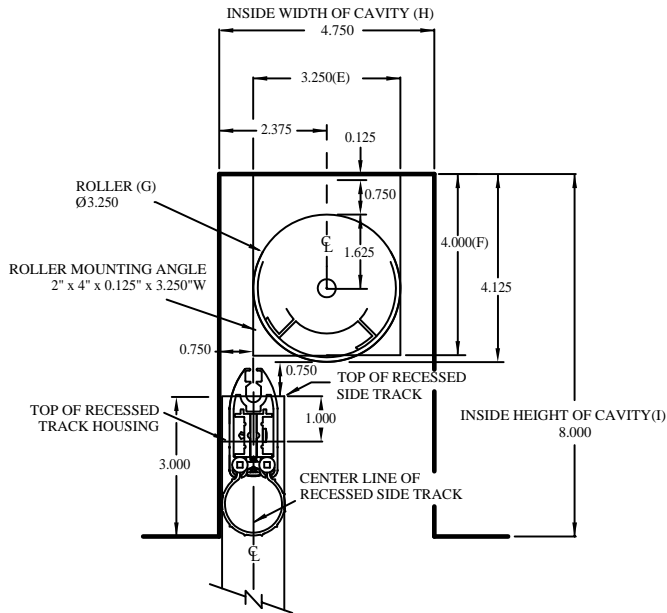


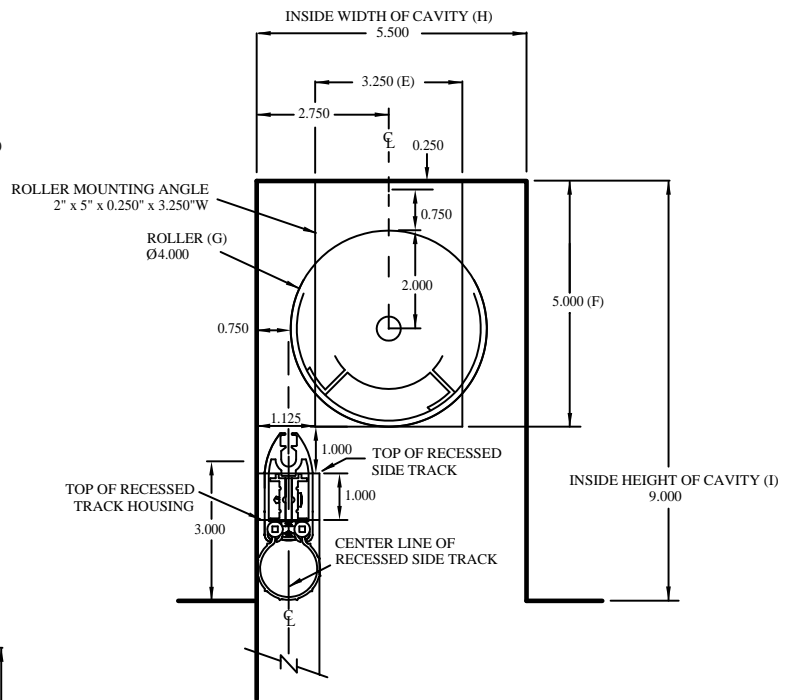
Recessed Roller Placement Details - Minimum Cavity Size

For Illustration Purposes Only - Not Drawn To Scale

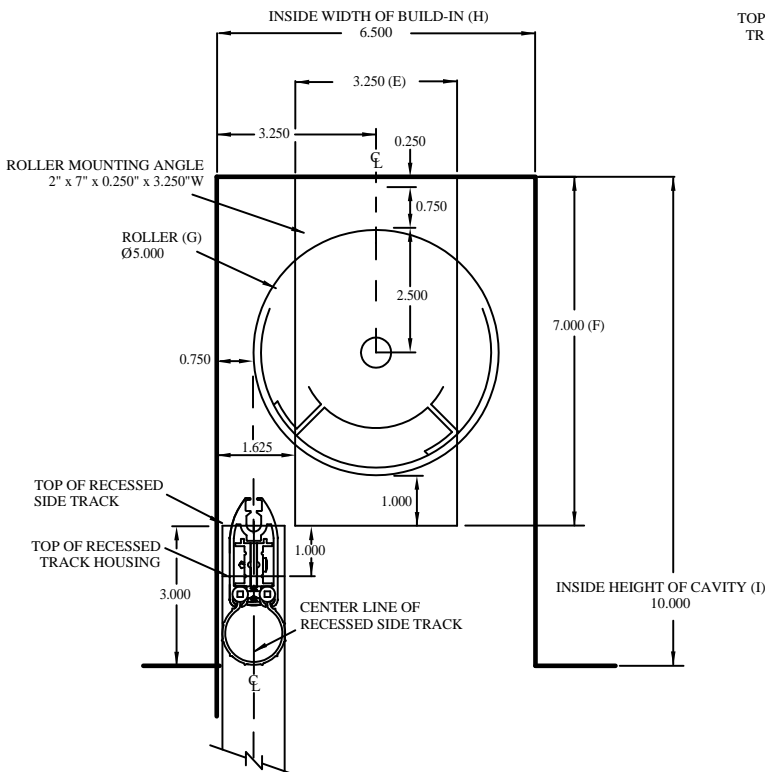
All Dimensions Are Shown In Inches



**PLACEMENT OF 3.25" ROLLER,
4" ROLLER MOUNTING ANGLE
AND RECESSED SIDE TRACK (V2)**



**PLACEMENT OF 4" ROLLER,
5" ROLLER MOUNTING ANGLE
AND RECESSED SIDE TRACK (V2)**



**PLACEMENT OF 5" ROLLER,
7" ROLLER MOUNTING ANGLE
AND RECESSED SIDE TRACK (V2)**

TO REFERENCE RECESSED ROLLER ASSEMBLY TABLES SEE:
"PEXECRECESSEDDINSTALL01(A)"