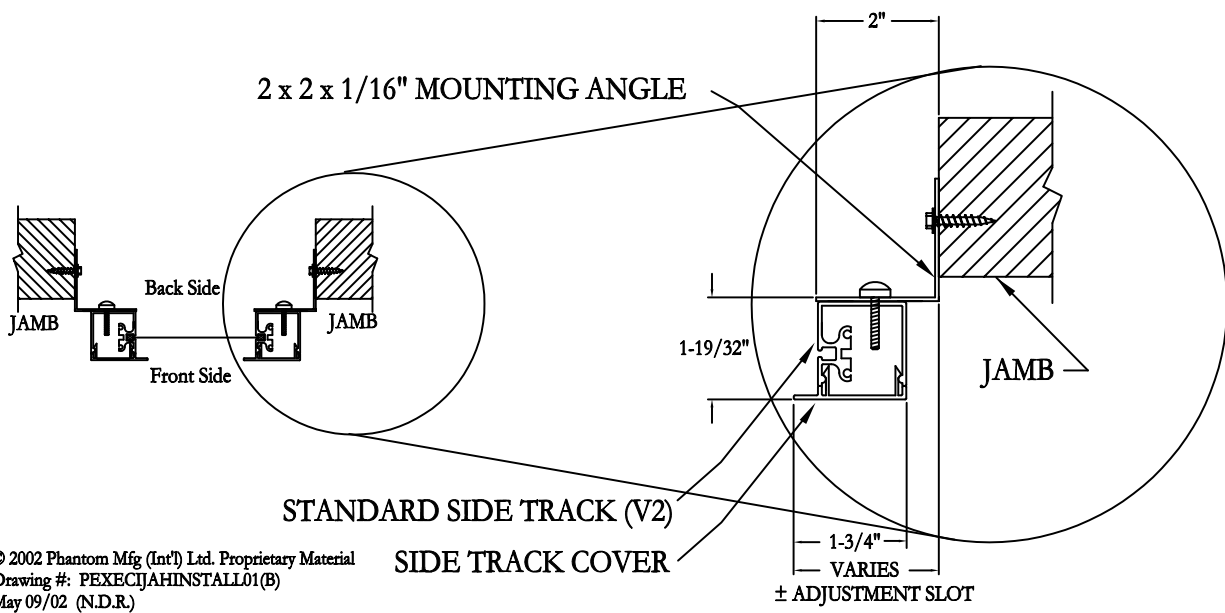
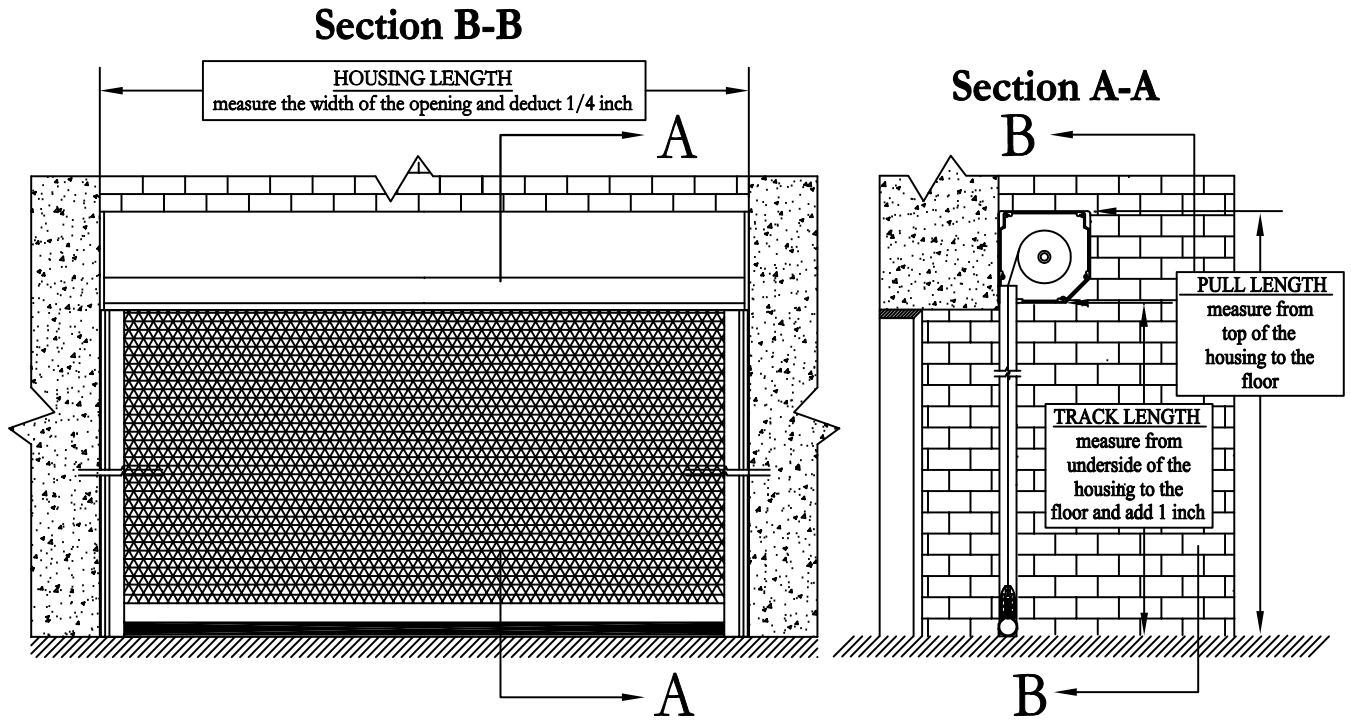


"SURFACE MOUNT" BETWEEN WALL INSTALLATION SYSTEM WITH NEW STANDARD SIDE TRACK (V2)

Inside Jamb Above Header - (IJAH)

FOR ILLUSTRATION PURPOSES ONLY - NOT DRAWN TO SCALE



© 2002 Phantom Mfg (Int'l) Ltd. Proprietary Material
 Drawing #: PEEXECJAHINSTALL01(B)
 May 09/02 (N.D.R.)